



DC-4P

OPERATION MANUAL

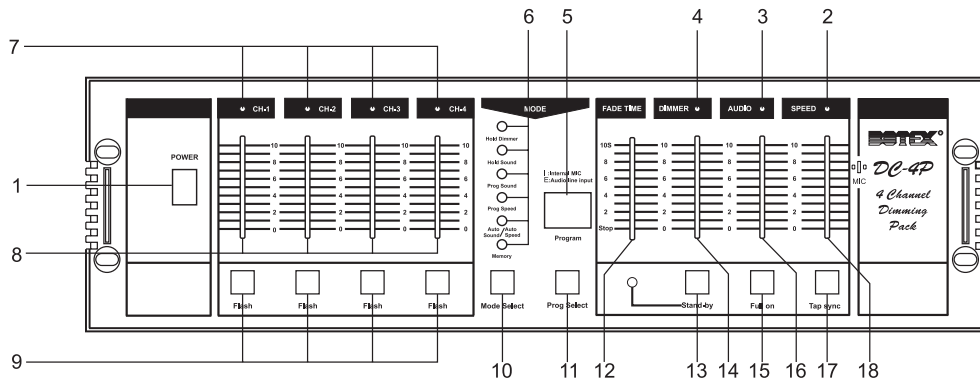
INTRODUCTION:

This model is a 4 channel dimming chaser, has 7 operating modes and 42 chasing programs, memory backup and fade time control d.

TECHNICAL SPECIFICATIONS:

POWER INPUT	AC 230V~50-60Hz (CE) AC 220V~50-60Hz (MAX.)
AUDIO INPUT	100mV-1Vpp
CHANNEL OUTPUT	2A/CH., Total 8A (CE) 5A/CH., Total 16A (MAX.)
CHANNEL FUSE	F6.3A 250V 5x20mm
FUSE (internal)	F0.5A 250V 5x20mm
DIMENSIONS	482.6x133x138mm
WEIGHT	4.4Kg

CONTROLS & FUNCTIONS



1. POWER SWITCH

2. SPEED INDICATOR

This indicator indicates the chasing speed.

3. AUDIO LEVEL INDICATOR

This indicator indicates the sensitivity of music rhythms.

4. MASTER DIMMER INDICATOR

This indicator indicates master dimming level.

5. PROGRAM DISPLAY

Shows desired pre-set digit parameter.

6. PROGRAM INDICATOR

This indicator indicate the operating mode being executed.

7. CHANNEL DIMMER INDICATOR

This indicator indicates the dimming level of corresponding channel.

8. CHANNEL DIMMER CONTROL

This control adjusts the dimming level of corresponding channel.

9. CHANNEL FLASH BUTTON

Press to activate channel full on function.

10. MODE SELECT BUTTON

Press to select desired operating mode from Hold Dimmer / Hold Sound / Prog Sound / Prog Speed / Auto Speed / Auto Sound / Memory or music control from line input / built-in microphone.

11. PROGRAM SELECT BUTTON

Press to select desired program from 42 pre-set programs in Prog Sound / Prog Speed / Auto Speed / Auto Sound. In Memory mode, you can press to activate sub-mode to select desired operating mode from Program / Manual / Auto Sound / Auto Speed using STAND BY.

12. FADE CONTROL

This control adjusts the delay time. It is not effective in Hold Sound.

13. STAND-BY BUTTON & INDICATOR

Press to pause all output.

14. MASTER DIMMER CONTROL

This control adjusts the dimming level of whole output.

15. FULL ON BUTTON

Press to activate FULL ON function of whole output.

16. AUDIO LEVEL CONTROL

This control adjusts the sensitivity of music rhythms detected by the built-in microphone or line in.

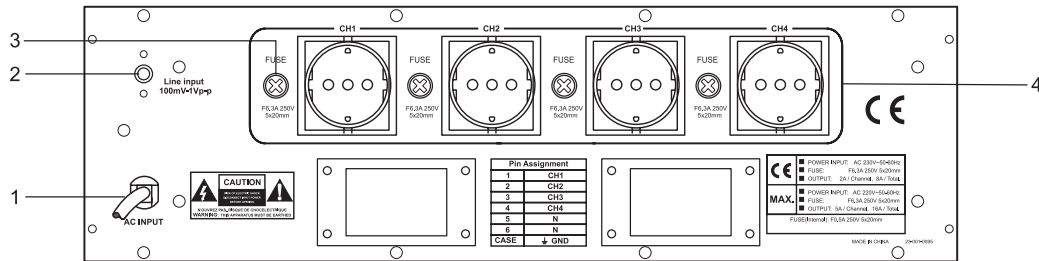
17. TAP SYNC BUTTON

This button is effective only in Prog Speed and Auto Speed. It is used to define chasing speed. When you press this button twice in 10 minutes, the interval between two pressing will be assigned to chasing speed.

18. SPEED CONTROL

This control adjusts the chasing speed.

REAR PANEL



1. AC INPUT

Plug in appropriate power supply.

2. AUDIO INPUT

Line in 100mV-1Vpp

3. CHANNEL FUSE

F6.3A 250V 5x20mm

4. CHANNEL OUTPUT

2A /CH., 8A /Total (CE)

5A /CH., 16A /Total (MAX.)

OPERATING INSTRUCTIONS

1. Turn the power switch on.

2. Operating mode is controlled by MODE SELECT.

3. You can select operating mode from Hold Dimmer / Hold Sound / Prog Sound / Prog Speed / Auto Speed / Auto Sound / Memory.

Hold Dimmer Corresponding indicator lights. Channel output is controlled by Channel Dimmer control or Master Dimmer control.

Hold Sound Corresponding indicator lights. Channel output is controlled by Channel Dimmer control and the music sensitivity is adjusted by the AUDIO LEVEL CONTROL.

Prog Sound Corresponding indicator lights. You can select desired program from 42 pre-set programs using Prog Select button. Press Prog Select button once, program will be increased or decreased by one. Press and hold it for 1 second, program will be increased or decreased by 10 per second. Press Prog Select + Mode Select, chasing direction will be reversed.

Prog Speed Corresponding indicator lights. You can operate according to the way specified by Prog Sound and you must always remember chasing speed is not controlled by audio signal but SPEED CONTROL or TAP SYNC.

Auto Speed Corresponding indicator flashes. You can operate according to the way specified by Prog Speed. However, in this mode, each program will be executed eight times continuously and then next program.

Auto Sound Corresponding indicator lights. You can operate according to the way specified by Prog Sound. However, in this mode, each program will be executed eight times continuously and then next program.

Memory Up to 32 steps can be memorized.

In this mode, you can select desired operating mode from Program / Manual / Auto Sound / Auto Speed corresponding to digit indication PR, ST, AS and AP.

Press and hold Prog Select, press Stand By once, PROGRAM DISPLAY will show present operating mode, press Stand By once more, next mode will be selected. Each pressing of Stand By corresponds to a new mode. Release Prog Select, the selected mode will be executed.

PR mode
Dimmer

Press Prog Select till " O1 " appears in PROGRAM DISPLAY. Adjust Master

control or Channel Dimmer control to meet user's requirement, press Prog Select, PROGRAM DISPLAY will flash 4 time continuously, which means it is memorized, and PROGRAM DISPLAY will show " O2 ". You can make program in this way till " 32 " appears, now exit from Program and engage in other mode. If you fail in certain step, you should restart programming, otherwise not effective.

ST mode

Press Prog Select once, program will be executed one step, and PROGRAM DISPLAY will show the information. You can refer to the way mentioned in Prog Sound to select desired step.

AS mode

Program is executed according to the music rhythms and PROGRAM DISPLAY shows the step.

AP mode

Program is executed automatically and PROGRAM DISPLAY shows the step. You can adjust the chasing speed according to the way specified in Prog Speed.

4. FULL ON and FLASH

Press Full On button to activate FULL ON function of whole output, press Flash button to activate FULL ON function of channel. These two functions are effective in any mode.

5. Stand By

Press this button once to turn off whole output, press it once more to exit STAND BY, and the indicator will change from " flash" to "off".

6. AUDIO INPUT SELECT

You can select audio signal from Internal MIC / Audio line Input. Press Prog Select and turn off the power. Wait some seconds, turn the power on, now PROGRAM DISPLAY shows " I " or " E ". Press

Mode

Select once, audio signal input will be changed, and the indication will change accordingly. Press it once more, audio signal input will be changed once more.

WARNING:

- 1. THIS APPARATUS MUST BE EARTHED.**
- 2. DISCONNECT POWER CABLE BEFORE OPENING.**
- 3. TO PREVENT FIRE OR SHOCK HAZARD, DO NOT EXPOSE THIS APPARATUS TO RAIN OR MOISTURE.**
- 4. REPLACE THE FUSE WITH THE SAME TYPE.**